



# MONO GU10 spotlights

MONO SPOT GU10 DLR

864120ws  
G10  
Dimmable  
€169.90

Available, delivery time: 3-5 days

**Body Color**  
painted white

## Technical specifications

**Body color**

painted white

**Primary connection voltage**

230 Volt

**Dimmable**

Universal (L,C)

**Input power**

019d53ee084b7083bb261790bd7e0fde  
Watt

**Safety class**

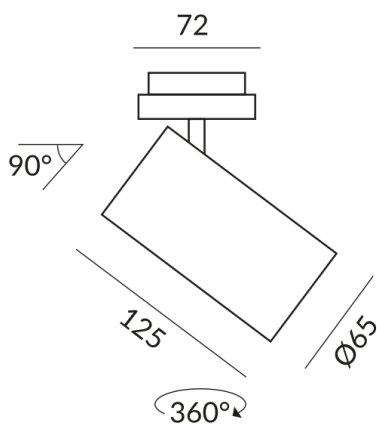
1

**Ingress protection**

IP20

**Weight**

0.36 kg



---

**BRUCK GmbH & Co. KG**  
Industriestr. 22a  
44628 Herne

Tel: +49 (0)2323 - 5910  
E-Mail: [sales@bruck.de](mailto:sales@bruck.de)

<https://bruck.de>