



# TUTO II spotlights

TUTO II SPOT 40° DLR

864115sw

LED

40°

Dimmable

€239.00

Available, delivery time: 3-5 days

**Body Color**

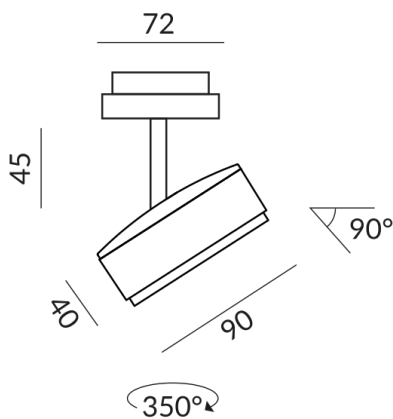
painted black

**Angle**

40°

**Systems**

DUOLARE 230V track



## Technical specifications

**Body color**

painted black

**Primary connection voltage**

230 Volt

**Dimmable**

Phasenabschnitt (C)

**Input power**

019d53eef6ac70bf8082e55c98f95455

Watt

**Light color**

2700 K

**LED luminous flux**

800 lm

**Color rendering index**

CRI 90

**Safety class**

2

**Ingress protection**

IP20

**Weight**

0.32 kg



#### Information on operating LED lights

Thank you for choosing our LED lights.

To ensure the best possible performance and longevity of your new lighting, please observe the following instructions:

1. When operating LED lights, visible, brief changes in light may occur due to voltage changes in the mains. This does not constitute a defect in the light.
2. For dimming LED lights. Not all LED lamps are compatible with all dimmers. Please check compatibility before installation. Incompatibility does not constitute a defect in the luminaire.
3. Flickering at low dimmer settings (from 50%): When using dimmers, slight flickering may occur at low settings. This is normal behaviour and does not constitute a defect in the luminaire.

---

**BRUCK GmbH & Co. KG**  
Industriestr. 22a  
44628 Herne

Tel: +49 (0)2323 - 5910  
E-Mail: [sales@bruck.de](mailto:sales@bruck.de)

<https://bruck.de>