



# EUCLID spotlights

EUCLID SPOT 80° DLR

864010sw-132

LED

Dimmable

€449.00

Available, delivery time: 7 days

**Body Color**

painted black

**Light Direction**

SPOT

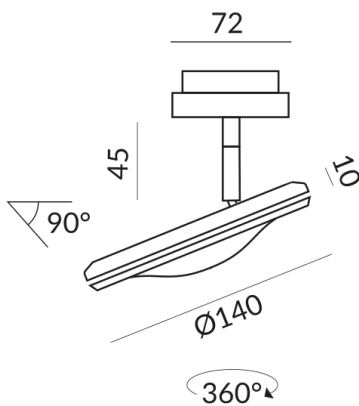
**Systems**

DUOLARE 230V track

**Light Color**

3.000K

## Technical specifications



**Body color**

painted black

**Primary connection voltage**

230 Volt

**Dimmable**

Phasenabschnitt (C)

**Input power**

019d53eef6ac70bf8082e55c98f95455  
Watt

**Light color**

2700 K

**Option**

Optional 3000k

**LED luminous flux**

800 lm

**Color rendering index**

CRI 90

**Safety class**

1

**Ingress protection**

IP20

**Weight**

0.38 kg

**Design**

Dirk Wortmeyer



#### Information on operating LED lights

Thank you for choosing our LED lights.

To ensure the best possible performance and longevity of your new lighting, please observe the following instructions:

1. When operating LED lights, visible, brief changes in light may occur due to voltage changes in the mains. This does not constitute a defect in the light.
2. For dimming LED lights. Not all LED lamps are compatible with all dimmers. Please check compatibility before installation. Incompatibility does not constitute a defect in the luminaire.
3. Flickering at low dimmer settings (from 50%): When using dimmers, slight flickering may occur at low settings. This is normal behaviour and does not constitute a defect in the luminaire.