



BOOH pendant lights

BOOH 250 GU10 DLR

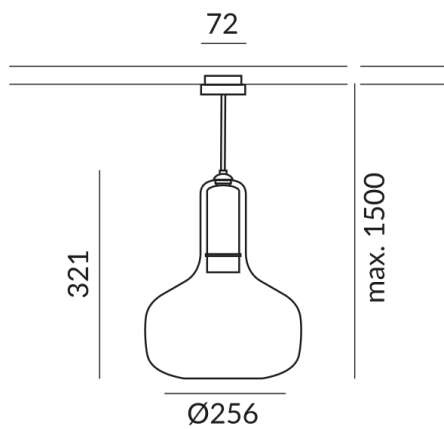
860682sw
G10
Dimmable
€479.00

detail.deliveryTimeAvailable2

Shade Color
amber

Systems
DUOLARE 230V track

Diameter
250mm



Technical specifications

Body color
painted black

Shade color
amber

Primary connection voltage
230 Volt

Dimmable
Universal (L,C)

Input power
019d53eebf7a7069b82b1bd98c766970
Watt

Safety class
2

Ingress protection
IP20

Weight
1.6 kg



BRUCK GmbH & Co. KG
Industriestr. 22a
44628 Herne

Tel: +49 (0)2323 - 5910
E-Mail: sales@bruck.de

<https://bruck.de>