

ACT II spotlights

ACT II 30° ALL-IN



714081sw
LED
30°
Dimmable
€289.00

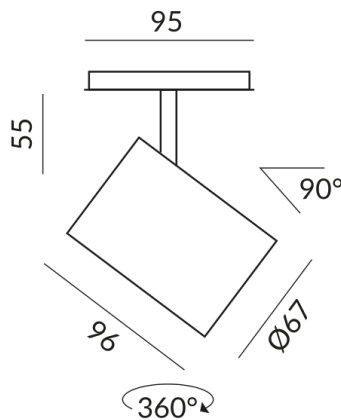
Available, delivery time: 7 days

Body Color
painted black

Systems
ALL-IN 230V track

Angle
30°

Technical specifications



Body color
painted black

Primary connection voltage
230 Volt

Dimmable
Phasenabschnitt (C)

Input power
10 Watt

Light color
2700 K

LED luminous flux
800 lm

Color rendering index
CRI 90

Safety class
1

Ingress protection
IP20

Weight
0.31 kg



Information on operating LED lights

Thank you for choosing our LED lights.

To ensure the best possible performance and longevity of your new lighting, please observe the following instructions:

1. When operating LED lights, visible, brief changes in light may occur due to voltage changes in the mains. This does not constitute a defect in the light.
2. For dimming LED lights. Not all LED lamps are compatible with all dimmers. Please check compatibility before installation. Incompatibility does not constitute a defect in the luminaire.
3. Flickering at low dimmer settings (from 50%): When using dimmers, slight flickering may occur at low settings. This is normal behaviour and does not constitute a defect in the luminaire.

BRUCK GmbH & Co. KG
Industriestr. 22a
44628 Herne

Tel: +49 (0)2323 - 5910
E-Mail: sales@bruck.de

<https://bruck.de>