



# BLOP pendant lights

BLOP 100° ALL-IN, 12W, PC2, 2700K

Discontinued, in our catalogue. Available while stocks last.

714052ch

LED

Dimmable

€449.00

Available, delivery time: 4 weeks

## Systems

ALL-IN 230V track

## Body Color

chrome

## Angle

100°

## Bulb Type

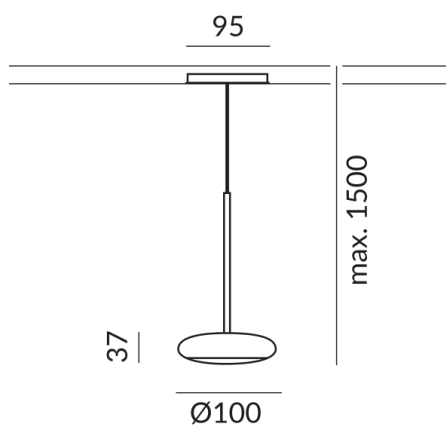
AC-LED

## Light Color

2.700K

## Assortment Status

Catalog item



## Technical specifications

### Body color

chrome

### Primary connection voltage

230 Volt

### Dimmable

Phasenabschnitt (C)

### Input power

12 Watt

### Light color

2700 K

### Option

Optional 3000k

### LED luminous flux

950 lm

### Color rendering index

CRI 90

### Safety class

2

### Ingress protection

IP20

### Weight

0.46 kg

**Design**

Dirk Wortmeyer

Information on operating LED lights

Thank you for choosing our LED lights.

To ensure the best possible performance and longevity of your new lighting, please observe the following instructions:

1. When operating LED lights, visible, brief changes in light may occur due to voltage changes in the mains. This does not constitute a defect in the light.
2. For dimming LED lights. Not all LED lamps are compatible with all dimmers. Please check compatibility before installation. Incompatibility does not constitute a defect in the luminaire.
3. Flickering at low dimmer settings (from 50%): When using dimmers, slight flickering may occur at low settings. This is normal behaviour and does not constitute a defect in the luminaire.

---

**BRUCK GmbH & Co. KG**  
Industriestr. 22a  
44628 Herne

Tel: +49 (0)2323 - 5910  
E-Mail: [sales@bruck.de](mailto:sales@bruck.de)

<https://bruck.de>