



# BLOP spotlights

BLOP SPOT 100° ALL-IN

714047sw-232

LED

Dimmable

€399.00

detail.deliveryTimeAvailable2

## Body Color

painted black

## Mount Type

Deckenanbau (C)

## Angle

100°

## Systems

ALL-IN 230V track

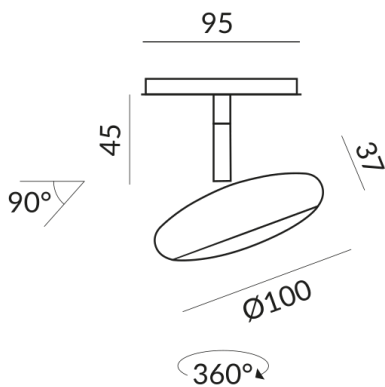
## Bulb Type

AC-LED

## Light Color

3.000K

## Technical specifications



## Body color

painted black

## Primary connection voltage

230 Volt

## Dimmable

Phasenabschnitt (C)

## Input power

12 Watt

## Light color

2700 K

## Option

Optional 3000k

## LED luminous flux

950 lm

## Color rendering index

CRI 90

## Safety class

2

## Ingress protection

IP20

## Weight

0.4 kg



Design  
Dirk Wortmeyer

#### Information on operating LED lights

Thank you for choosing our LED lights.

To ensure the best possible performance and longevity of your new lighting, please observe the following instructions:

1. When operating LED lights, visible, brief changes in light may occur due to voltage changes in the mains. This does not constitute a defect in the light.
2. For dimming LED lights. Not all LED lamps are compatible with all dimmers. Please check compatibility before installation. Incompatibility does not constitute a defect in the luminaire.
3. Flickering at low dimmer settings (from 50%): When using dimmers, slight flickering may occur at low settings. This is normal behaviour and does not constitute a defect in the luminaire.