



# BLOP spotlights

BLOP SPOT 60° ALL-IN

714046sw

LED

60°

Dimmable

€399.00

Available, delivery time: 3-5 days

## Body Color

painted black

## Mount Type

Deckenanbau (C)

## Angle

60°

## Systems

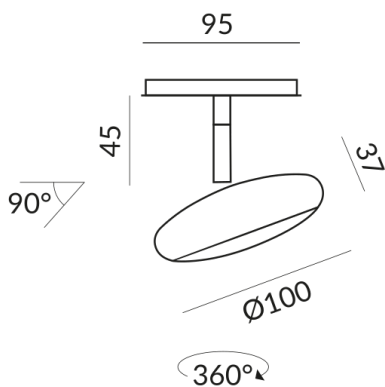
ALL-IN 230V track

## Bulb Type

AC-LED

## Light Color - Built-in

Built-in 2.700K



## Technical specifications

### Body color

painted black

### Primary connection voltage

230 Volt

### Dimmable

Phasenabschnitt (C)

### Input power

12 Watt

### Light color

2700 K

### Option

Optional 3000k

### LED luminous flux

950 lm

### Color rendering index

CRI 90

### Safety class

2

### Ingress protection

IP20

### Weight

0.4 kg



Design  
Dirk Wortmeyer

#### Information on operating LED lights

Thank you for choosing our LED lights.

To ensure the best possible performance and longevity of your new lighting, please observe the following instructions:

1. When operating LED lights, visible, brief changes in light may occur due to voltage changes in the mains. This does not constitute a defect in the light.
2. For dimming LED lights. Not all LED lamps are compatible with all dimmers. Please check compatibility before installation. Incompatibility does not constitute a defect in the luminaire.
3. Flickering at low dimmer settings (from 50%): When using dimmers, slight flickering may occur at low settings. This is normal behaviour and does not constitute a defect in the luminaire.