



# BLOP spotlights

BLOP SPOT 60° ALL-IN

714046sw-232

LED

Dimmable

€399.00

detail.deliveryTimeAvailable2

**Body Color**

Painted black

**Mount Type**

Deckenanbau (C)

**Angle**

60°

**Systems**

ALL-IN 230V track

**Bulb Type**

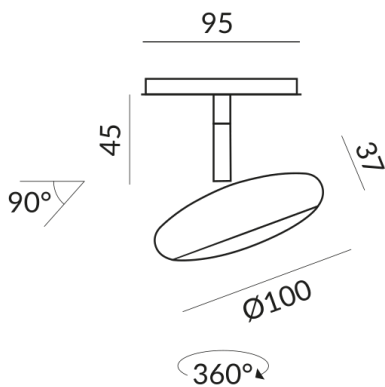
AC-LED

**Light Color**

3.000K

---

## Technical specifications



**Body color**

Painted black

**Primary connection voltage**

230 Volt

**Dimmable**

Phasenabschnitt (C)

**Input power**

12 Watt

**Light color**

2700 K

**Option**

Optional 3000k

**LED luminous flux**

950 lm

**Color rendering index**

CRI 90

**Safety class**

2

**Ingress protection**

IP20

**Weight**

0.4 kg



Design  
Dirk Wortmeyer

#### Information on operating LED lights

Thank you for choosing our LED lights.

To ensure the best possible performance and longevity of your new lighting, please observe the following instructions:

1. When operating LED lights, visible, brief changes in light may occur due to voltage changes in the mains. This does not constitute a defect in the light.
2. For dimming LED lights. Not all LED lamps are compatible with all dimmers. Please check compatibility before installation. Incompatibility does not constitute a defect in the luminaire.
3. Flickering at low dimmer settings (from 50%): When using dimmers, slight flickering may occur at low settings. This is normal behaviour and does not constitute a defect in the luminaire.