



BLOP spotlights

BLOP SPOT 30° ALL-IN

714045mcgy

LED

30°

Dimmable

€399.00

Available, delivery time: 3-5 days

Body Color

matt chrome-plated / painted

Mount Type

Deckenanbau (C)

Angle

30°

Systems

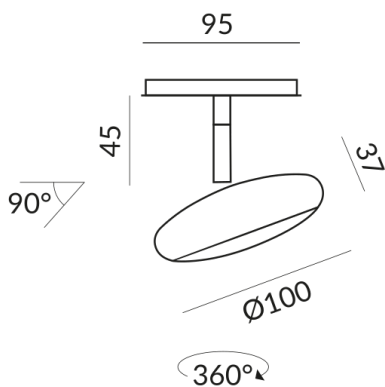
ALL-IN 230V track

Bulb Type

AC-LED

Light Color

2.700K



Technical specifications

Body color

matt chrome-plated / painted

Primary connection voltage

230 Volt

Dimmable

Phasenabschnitt (C)

Input power

12 Watt

Light color

2700 K

Option

Optional 3000k

LED luminous flux

950 lm

Color rendering index

CRI 90

Safety class

2

Ingress protection

IP20

Weight

0.4 kg



Design
Dirk Wortmeyer

Information on operating LED lights

Thank you for choosing our LED lights.

To ensure the best possible performance and longevity of your new lighting, please observe the following instructions:

1. When operating LED lights, visible, brief changes in light may occur due to voltage changes in the mains. This does not constitute a defect in the light.
2. For dimming LED lights. Not all LED lamps are compatible with all dimmers. Please check compatibility before installation. Incompatibility does not constitute a defect in the luminaire.
3. Flickering at low dimmer settings (from 50%): When using dimmers, slight flickering may occur at low settings. This is normal behaviour and does not constitute a defect in the luminaire.