



KLYP spotlights

KLYP SPOT 30° ALL-IN, 10W, PC2, 2700K

714021hw
LED
Dimmable
€369.00

Available, delivery time: 7 days

Light Color
2.700K

Systems
ALL-IN 230V track

Bulb Type
AC-LED

Body Color
champagner white

Angle
30°

Technical specifications

Body color
champagner white

Primary connection voltage
230 Volt

Dimmable
Phasenabschnitt (C)

Input power
10 Watt

Light color
2700 K

Option
Optional 3000k

LED luminous flux
800 lm

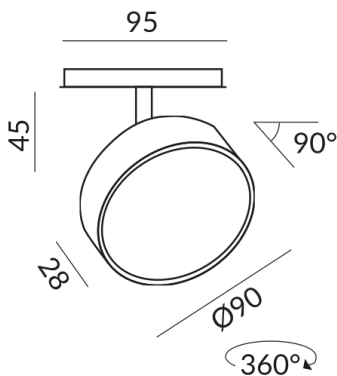
Color rendering index
CRI 90

Safety class
2

Ingress protection
IP20

Weight
0.42 kg

Design
BRUCK-Design



Information on operating LED lights

Thank you for choosing our LED lights.

To ensure the best possible performance and longevity of your new lighting, please observe the following instructions:

1. When operating LED lights, visible, brief changes in light may occur due to voltage changes in the mains. This does not constitute a defect in the light.
2. For dimming LED lights. Not all LED lamps are compatible with all dimmers. Please check compatibility before installation. Incompatibility does not constitute a defect in the luminaire.
3. Flickering at low dimmer settings (from 50%): When using dimmers, slight flickering may occur at low settings. This is normal behaviour and does not constitute a defect in the luminaire.

BRUCK GmbH & Co. KG
Industriestr. 22a
44628 Herne

Tel: +49 (0)2323 - 5910
E-Mail: sales@bruck.de

<https://bruck.de>