

# SWAP spotlights

SWAP SPOT 30° LV ALL-IN, 7W, PC2, 2700K



Discontinued, no longer in our catalogue. Available while stocks last.

712041wg

LED

Dimmable

€289.00

Available, delivery time: 7 days

## Systems

ALL-IN 230V track

## Body Color

white, inside gold

## Angle

30°

## Light Color

2.700K

## Other Properties

Silver reflector

## Length

160mm

## Assortment Status

Discontinued items

## Technical specifications

### Body color

white, inside gold

### Primary connection voltage

230 Volt

### Dimmable

Phasenabschnitt (C)

### Input power

7 Watt

### Light color

2700 K

### Option

Optional 3000k

### LED luminous flux

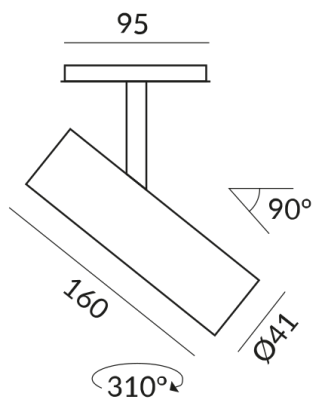
650 lm

### Color rendering index

CRI 93

### Safety class

2



**Ingress protection**

IP20

**Weight**

0.32 kg

## Information on operating LED lights

Thank you for choosing our LED lights.

To ensure the best possible performance and longevity of your new lighting, please observe the following instructions:

1. When operating LED lights, visible, brief changes in light may occur due to voltage changes in the mains. This does not constitute a defect in the light.
2. For dimming LED lights. Not all LED lamps are compatible with all dimmers. Please check compatibility before installation. Incompatibility does not constitute a defect in the luminaire.
3. Flickering at low dimmer settings (from 50%): When using dimmers, slight flickering may occur at low settings. This is normal behaviour and does not constitute a defect in the luminaire.

---

**BRUCK GmbH & Co. KG**Industriestr. 22a  
44628 Herne

Tel: +49 (0)2323 - 5910

E-Mail: [sales@bruck.de](mailto:sales@bruck.de)<https://bruck.de>