



SWAP spotlights

SWAP SPOT 30° LV ALL-IN, 7W, PC2, 2700K

712041sw
LED
Dimmable
€269.00

Available, delivery time: 7 days

Systems

ALL-IN 230V track

Body Color

painted black

Angle

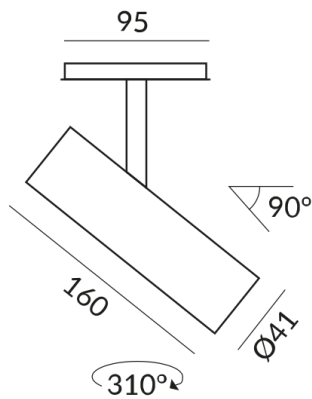
30°

Other Properties

Silver reflector

Length

160mm



Technical specifications

Body color

painted black

Primary connection voltage

230 Volt

Dimmable

Phasenabschnitt (C)

Input power

7 Watt

Light color

2700 K

Option

Optional 3000k

LED luminous flux

650 lm

Color rendering index

CRI 93

Safety class

2

Ingress protection

IP20

Weight

0.32 kg



Information on operating LED lights

Thank you for choosing our LED lights.

To ensure the best possible performance and longevity of your new lighting, please observe the following instructions:

1. When operating LED lights, visible, brief changes in light may occur due to voltage changes in the mains. This does not constitute a defect in the light.
2. For dimming LED lights. Not all LED lamps are compatible with all dimmers. Please check compatibility before installation. Incompatibility does not constitute a defect in the luminaire.
3. Flickering at low dimmer settings (from 50%): When using dimmers, slight flickering may occur at low settings. This is normal behaviour and does not constitute a defect in the luminaire.

BRUCK GmbH & Co. KG
Industriestr. 22a
44628 Herne

Tel: +49 (0)2323 - 5910
E-Mail: sales@bruck.de

<https://bruck.de>