



BOOH pendant lights

BOOH 250 GU10 ALL-IN

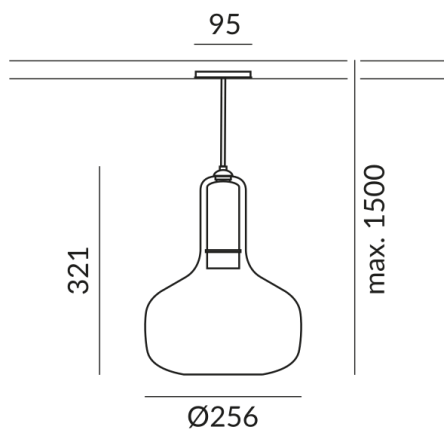
710683sw
G10
Dimmable
€479.00

detail.deliveryTimeAvailable2

Shade Color
cool grey

Systems
ALL-IN 230V track

Diameter
250mm



Technical specifications

Body color
painted black

Shade color
cool grey

Primary connection voltage
230 Volt

Dimmable
Universal (L,C)

Input power
9 Watt

Safety class
2

Ingress protection
IP20

Weight
1.16 kg



BRUCK GmbH & Co. KG
Industriestr. 22a
44628 Herne

Tel: +49 (0)2323 - 5910
E-Mail: sales@bruck.de

<https://bruck.de>