

# ALL-IN connectors

## X-CONNECTOR ALL-IN



700085sw

LED

€239.90

Available, delivery time: 7 days

**Body Color**

painted black

**Variant**

X-VERBINDER ALL-IN

## Technical specifications

**Body color**

painted black

**Input power**

1000 Watt

**Safety class**

1

**Ingress protection**

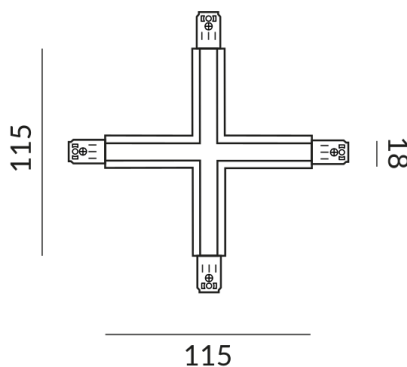
IP20

**Weight**

0.15 kg

**Design**

Dirk Wortmeyer



Information on operating LED lights

Thank you for choosing our LED lights.

To ensure the best possible performance and longevity of your new lighting, please observe the following instructions:

1. When operating LED lights, visible, brief changes in light may occur due to voltage changes in the mains. This does not constitute a defect in the light.
2. For dimming LED lights. Not all LED lamps are compatible with all dimmers. Please check compatibility before installation. Incompatibility does not constitute a defect in the luminaire.
3. Flickering at low dimmer settings (from 50%): When using dimmers, slight flickering may occur at low settings. This is normal behaviour and does not constitute a defect in the luminaire.