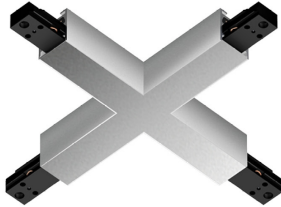


# ALL-IN connectors

## X-CONNECTOR ALL-IN



700085mcgy

LED

€239.90

Available, delivery time: 7 days

### Body Color

matt chrome-plated / painted

### Variant

X-VERBINDER ALL-IN

## Technical specifications

### Body color

matt chrome-plated / painted

### Input power

1000 Watt

### Safety class

1

### Ingress protection

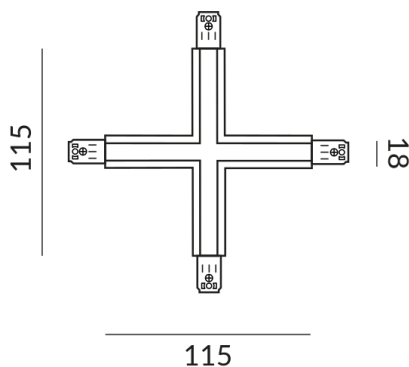
IP20

### Weight

0.15 kg

### Design

Dirk Wortmeyer



### Information on operating LED lights

Thank you for choosing our LED lights.

To ensure the best possible performance and longevity of your new lighting, please observe the following instructions:

1. When operating LED lights, visible, brief changes in light may occur due to voltage changes in the mains. This does not constitute a defect in the light.
2. For dimming LED lights. Not all LED lamps are compatible with all dimmers. Please check compatibility before installation. Incompatibility does not constitute a defect in the luminaire.
3. Flickering at low dimmer settings (from 50%): When using dimmers, slight flickering may occur at low settings. This is normal behaviour and does not constitute a defect in the luminaire.