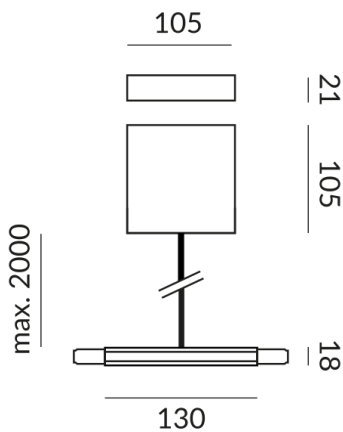


POWER FEED SIDE FLEX C+ ALL-IN

700061ws-1nkc

€442.91

Available, delivery time: 7 days



Technical specifications

Body color

Painted white

Watt

2 x 1000 Watt

Circuits

2 x Circuits

Option

Optional Casambi

Safety class

1

Ingress protection

IP20

Weight

0.42 kg

Design

Dirk Wortmeyer