

# KLYP spotlights

## KLYP SPOT 60° MICRO



616122sw  
LED  
Dimmable  
€319.00

Available, delivery time: 7 days

**Light Color**  
2.700K

**Systems**  
MICRO 24V track

**Bulb Type**  
LV-LED

**Body Color**  
painted black

**Angle**  
60°

## Technical specifications

**Body color**  
painted black

**Primary connection voltage**  
24 Volt

**Dimmable**  
Bluetooth-Funk Dimmung

**Input power**  
10 Watt

**Light color**  
2700 K

**Option**  
Optional 3000k

**LED luminous flux**  
1000 lm

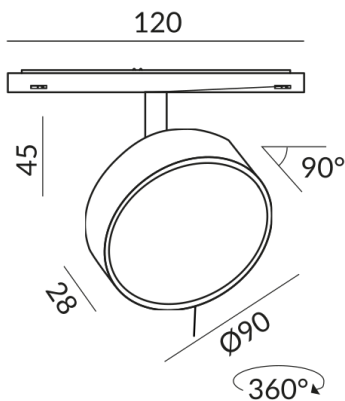
**Color rendering index**  
CRI 90

**Safety class**  
3

**Ingress protection**  
IP20

**Weight**  
0.41 kg

**Design**  
BRUCK-Design





### Information on operating LED lights

Thank you for choosing our LED lights.

To ensure the best possible performance and longevity of your new lighting, please observe the following instructions:

1. When operating LED lights, visible, brief changes in light may occur due to voltage changes in the mains. This does not constitute a defect in the light.
2. For dimming LED lights. Not all LED lamps are compatible with all dimmers. Please check compatibility before installation. Incompatibility does not constitute a defect in the luminaire.
3. Flickering at low dimmer settings (from 50%): When using dimmers, slight flickering may occur at low settings. This is normal behaviour and does not constitute a defect in the luminaire.

---

**BRUCK GmbH & Co. KG**  
Industriestr. 22a  
44628 Herne

Tel: +49 (0)2323 - 5910  
E-Mail: [sales@bruck.de](mailto:sales@bruck.de)

<https://bruck.de>