

KLYP spotlights



KLYP FLAT 120° MICRO, 10W, 24Vdc,
PC3, 2700K

616120hb
LED
Dimmable
€339.00

Available, delivery time: 7 days

Light Color
2.700K

Systems
MICRO 24V track

Bulb Type
LV-LED

Body Color
champagner black

Angle
120°

Technical specifications

Body color
champagner black

Primary connection voltage
24 Volt

Dimmable
Bluetooth-Funk Dimmung

Input power
10 Watt

Light color
2700 K

Option
Optional 3000k

LED luminous flux
1000 lm

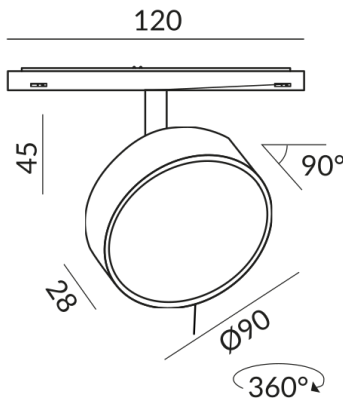
Color rendering index
CRI 90

Safety class
3

Ingress protection
IP20

Weight
0.41 kg

Design



Information on operating LED lights

Thank you for choosing our LED lights.

To ensure the best possible performance and longevity of your new lighting, please observe the following instructions:

1. When operating LED lights, visible, brief changes in light may occur due to voltage changes in the mains. This does not constitute a defect in the light.
2. For dimming LED lights. Not all LED lamps are compatible with all dimmers. Please check compatibility before installation. Incompatibility does not constitute a defect in the luminaire.
3. Flickering at low dimmer settings (from 50%): When using dimmers, slight flickering may occur at low settings. This is normal behaviour and does not constitute a defect in the luminaire.

BRUCK GmbH & Co. KG
Industriestr. 22a
44628 Herne

Tel: +49 (0)2323 - 5910
E-Mail: sales@bruck.de

<https://bruck.de>