



## BLOP spotlights

BLOP SPOT 60° MICRO, 10W, 24Vdc, PC3, 2700K

616081hb

LED

Dimmable

€429.00

Available, delivery time: 7 days

### Body Color

champagner, adapter black

### Mount Type

Deckenanbau (C)

### Angle

60°

### Systems

MICRO 24V track

### Bulb Type

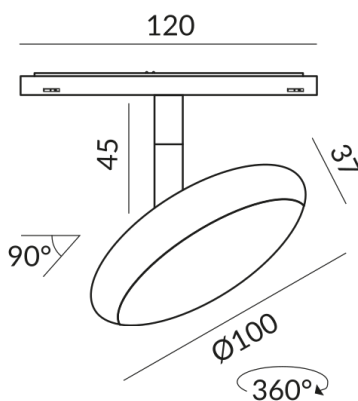
LV-LED

### Light Color

2.700K

### Assortment Status

Catalog item



## Technical specifications

### Body color

champagner, adapter black

### Primary connection voltage

24 Volt

### Dimmable

Bluetooth-Funk Dimmung

### Input power

10 Watt

### Light color

2700 K

### Option

Optional 3000k

### LED luminous flux

1000 lm

### Color rendering index

CRI 90

### Safety class

3

### Ingress protection

IP20

**Weight**

0.41 kg

**Design**

Dirk Wortmeyer

Information on operating LED lights

Thank you for choosing our LED lights.

To ensure the best possible performance and longevity of your new lighting, please observe the following instructions:

1. When operating LED lights, visible, brief changes in light may occur due to voltage changes in the mains. This does not constitute a defect in the light.
2. For dimming LED lights. Not all LED lamps are compatible with all dimmers. Please check compatibility before installation. Incompatibility does not constitute a defect in the luminaire.
3. Flickering at low dimmer settings (from 50%): When using dimmers, slight flickering may occur at low settings. This is normal behaviour and does not constitute a defect in the luminaire.

---

**BRUCK GmbH & Co. KG**  
Industriestr. 22a  
44628 Herne

Tel: +49 (0)2323 - 5910  
E-Mail: [sales@bruck.de](mailto:sales@bruck.de)

<https://bruck.de>