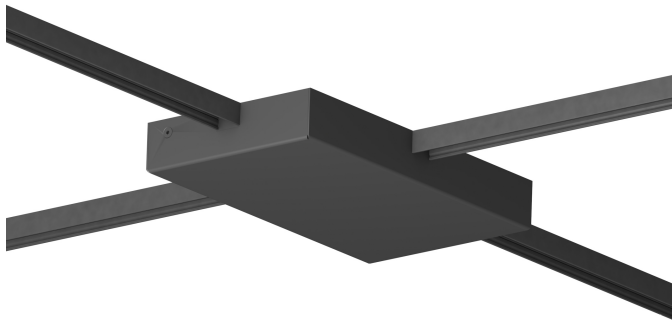


# MICRO power feeds

POWER FEED + POWERSUPPLY DALI  
195 ISO MICRO



600053sw  
LED  
€698.99

Available, delivery time: 3-5 days

**Variant**

EINSPEISUNG + NETZTEIL DALI 195 ISO MICRO

**Body Color**

painted black

**Mount Type**

Deckenanbau (C)

---

## Technical specifications

**Body color**

painted black

**Input power**

100 Watt

**Safety class**

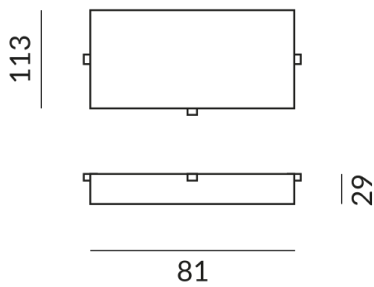
1

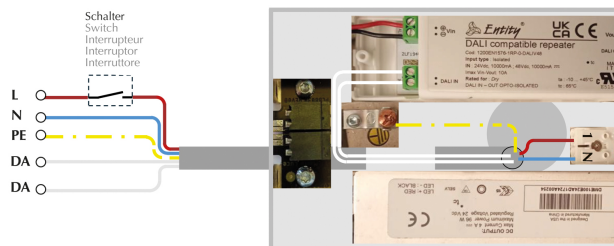
**Ingress protection**

IP20

**Weight**

0.46 kg





Information on operating LED lights

Thank you for choosing our LED lights.

To ensure the best possible performance and longevity of your new lighting, please observe the following instructions:

1. When operating LED lights, visible, brief changes in light may occur due to voltage changes in the mains. This does not constitute a defect in the light.
2. For dimming LED lights. Not all LED lamps are compatible with all dimmers. Please check compatibility before installation. Incompatibility does not constitute a defect in the luminaire.
3. Flickering at low dimmer settings (from 50%): When using dimmers, slight flickering may occur at low settings. This is normal behaviour and does not constitute a defect in the luminaire.