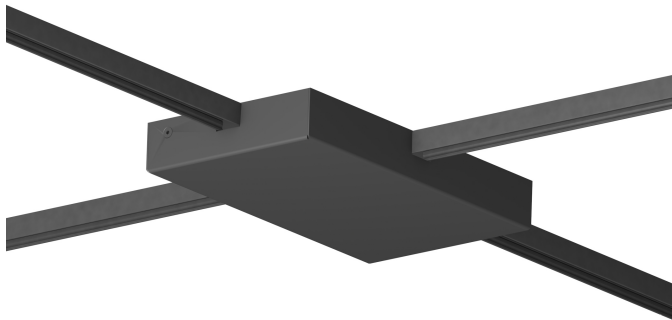


MICRO Power feeds

POWER FEED + POWERSUPPLY DALI
195 MICRO, 2x100W, PC1, L: 195mm



600052sw
€499.00

Available, delivery time: 3-5 days

Position of power feed

In the middle of track

Type of power feed

With junction box + power supply

Connections

1-4 Connections

Smart Home

DALI

Body Color

painted black

Technical specifications

Body color

painted black

Watt

200 Watt

Circuits

1 x Circuits

Safety class

1

Ingress protection

IP20

Weight

0.48 kg

