



MICRO power feeds

POWER FEED END/CENTRE 81 RD R
MICRO

600040sw

LED

€129.90

Available, delivery time: 3-5 days

Variant

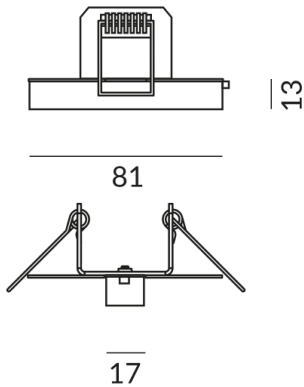
EINSPEISUNG ENDE/MITTE 81 RD R MICRO

Body Color

painted black

Mount Type

Einbau (R)



Technical specifications

Body color

painted black

Safety class

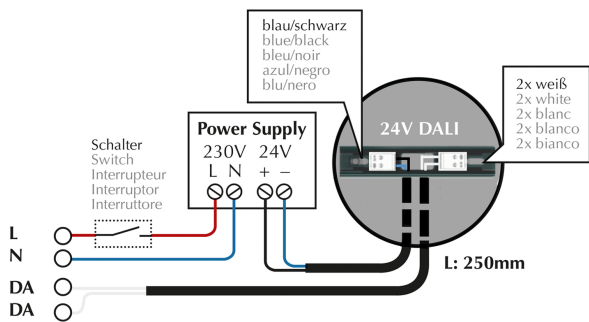
3

Ingress protection

IP20

Weight

0.2 kg



Information on operating LED lights

Thank you for choosing our LED lights.

To ensure the best possible performance and longevity of your new lighting, please observe the following instructions:

1. When operating LED lights, visible, brief changes in light may occur due to voltage changes in the mains. This does not constitute a defect in the light.
2. For dimming LED lights. Not all LED lamps are compatible with all dimmers. Please check compatibility before installation. Incompatibility does not constitute a defect in the luminaire.
3. Flickering at low dimmer settings (from 50%): When using dimmers, slight flickering may occur at low settings. This is normal behaviour and does not constitute a defect in the luminaire.