



MAXIMUM AC canopies for 230V luminaires

CANOPY MAXIMUM AC 1600-5

242165mcgy

LED

Dimmable

€744.00

Available, delivery time: 7 days

Length

1.600mm

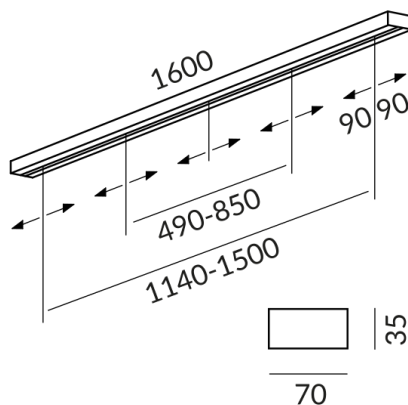
Connections

5 Connections

Body Color

matt chrome-plated / painted

Technical specifications



Body color

matt chrome-plated / painted

Primary connection voltage

230 Volt

Dimmable

Dimmbar mit entsprechendem Betriebsgerät

Input power

50 Watt

Option

Optional Casambi

Safety class

1

Ingress protection

IP20

Weight

3.1 kg

Design

Dirk Wortmeyer

8 facts that convince

MAXIMUM Canopy

 The BRUCK MAXIMUM



canopy transforms a single ceiling outlet into an elegant multi-light solution for pendant lights or spotlights – for more light exactly where you need it.

❓ Several pendant lights or spotlights can be connected and repositioned – allowing the light to adapt effortlessly to the length of your table, kitchen island or dining area.

❓ Canopy versions for 2 to 5 luminaires and lengths up to 3 m – giving you freedom for small niches or large living spaces.

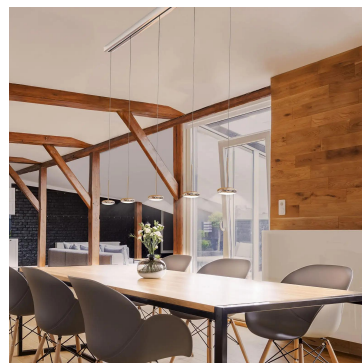
❓ Works with BRUCK luminaires and many other brands.

❓ High-voltage luminaires connect directly – for low-voltage LEDs, the integrated driver ensures proper power supply.

❓ The award-winning ultra-slim profile (70 × 35 mm) stays deliberately unobtrusive – so that light and architecture take center stage, not the technology.

❓ The installation remains pleasantly simple: mount housing, click in adapters, connect cables, snap on the cover – clean, tool-free and without visible screws.

❓ Luminaires can be rearranged at any time – so your room always gets the lighting mood you need.



Minimalist in design.
Maximum in function.

More light where you need it:

The MAXIMUM canopy allows multiple pendant lights or spotlights to be connected to a single ceiling outlet. Adjustable, flexible, dimmable – and Made in Germany.

The aesthetic solution for clean lines and adaptable lighting above dining tables, kitchen counters or conference tables.

How to get the maximum out of a single power outlet

The BRUCK MAXIMUM canopy transforms your ceiling outlet above tables or counters into an elegant multi-light solution.

You can connect several pendant lights or spotlights, shift them by 20–40 cm and adjust them to the length of your table.

With versions for 2 to 5 luminaires and special lengths up to 3 m, MAXIMUM is as versatile as your home.

Compatible with BRUCK luminaires – and other favorites.

Whether you use BRUCK pendants or spotlights, or pendants from other brands: The MAXIMUM canopy stays open for your ideas.

Thanks to the clever adapter connection system, pendant lights with open cable ends can be integrated easily – luminaires are hooked in and the cables connected securely before the cover is closed neatly. Whether your luminaire uses high-voltage LED (230 V – AC technology) or low-voltage LED (350 mA – LV technology) – the MAXIMUM canopy is

prepared.

High-voltage LED luminaires (230 V): connect directly, no additional driver needed.

Low-voltage LED luminaires (350 mA): an integrated LED driver in the canopy ensures your LED receives exactly the right current.

Made in Germany – with attention to detail

The MAXIMUM canopy has been awarded the German Design Award and the Good Design Award Chicago – especially for its extremely slim, reduced cross-section of just 70 × 35 mm (width × height), which is rare for a product with this level of functionality.

The profile remains intentionally minimalist so the luminaires and the room's architecture can shine, not the technology.

The MAXIMUM canopy is designed and manufactured at the BRUCK site in Herne – with care, experience and attention to detail – by people who understand light.

BRUCK MAXIMUM canopy – the elegant line above your table.

The MAXIMUM canopy feels at home wherever clean forms and good lighting are needed.

Whether above a dining table, kitchen island, long banquet table or in a conference room – it provides precise, even lighting and a calm, architectural ceiling appearance.

Easy canopy installation – thought through to the last detail.

The canopy housing is securely mounted to the

ceiling first.

For pendant lights, the adapter with strain relief is then attached to the cable end, clicked into the housing and the cable connected. For BRUCK spotlights, the adapter is already pre-assembled, and only the housing connection is required. Finally, the side cover is snapped onto the housing – clean, tool-free and without visible screws.

Everything sits securely, flush and precisely – typical for BRUCK: easy to install, technically perfect, visually flawless. Pendant lights and spotlights can be repositioned or exchanged later with ease.

Information on operating LED lights

Thank you for choosing our LED lights.

To ensure the best possible performance and longevity of your new lighting, please observe the following instructions:

1. When operating LED lights, visible, brief changes in light may occur due to voltage changes in the mains. This does not constitute a defect in the light.
2. For dimming LED lights. Not all LED lamps are compatible with all dimmers. Please check compatibility before installation. Incompatibility does not constitute a defect in the luminaire.
3. Flickering at low dimmer settings (from 50%): When using dimmers, slight flickering may occur at low settings. This is normal behaviour and does not constitute a defect in the luminaire.