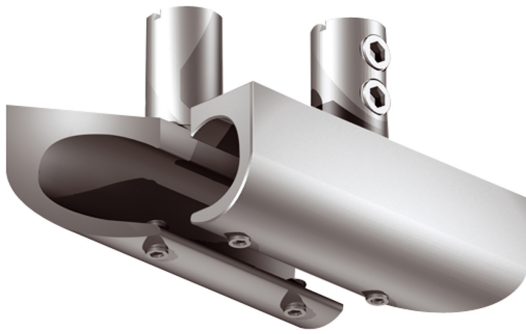


VIA power feeds

POWER FEED VIA



Discontinued, no longer in our catalogue. Available while stocks last.

160528mcgy

LED

€64.90

Available, delivery time: 3-5 days

Position of power feed

In the middle of track

Technical specifications

Body color

matt chrome-plated / painted

Input power

300 Watt

Safety class

3

Ingress protection

IP20

Weight

0.05 kg

Design

Martin Kania

Information on operating LED lights

Thank you for choosing our LED lights.

To ensure the best possible performance and longevity of your new lighting, please observe the following instructions:

1. When operating LED lights, visible, brief changes in light may occur due to voltage changes in the mains. This does not constitute a defect in the light.
2. For dimming LED lights. Not all LED lamps are compatible with all dimmers. Please check compatibility before installation. Incompatibility does not constitute a defect in the luminaire.
3. Flickering at low dimmer settings (from 50%): When using dimmers, slight flickering may occur at low settings. This is normal behaviour and does not constitute a defect in the luminaire.