

ASSEMBLYSET VARIO HLI

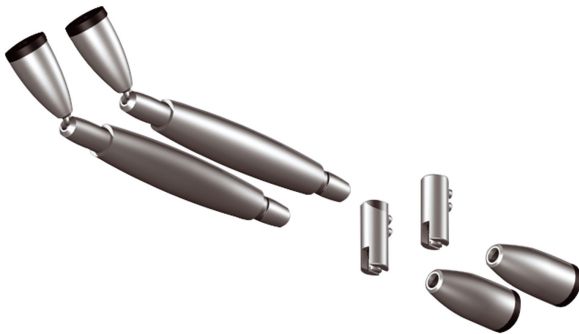
Discontinued, no longer in our catalogue. Available while stocks last.

150518mc

LED

€169.00

Available, delivery time: 3-5 days



Technical specifications

Body color

matt chrome-plated

Ingress protection

IP20

Weight

0.55 kg

for straight and sloping surfaces, insulated towards the mounting surfaces, including: 2 x tensioners, 2 x cableholders, installation material, power feed, 1 m power feed cable 4 mm²

Information on operating LED lights

Thank you for choosing our LED lights.

To ensure the best possible performance and longevity of your new lighting, please observe the following instructions:

1. When operating LED lights, visible, brief changes in light may occur due to voltage changes in the mains. This does not constitute a defect in the light.
2. For dimming LED lights. Not all LED lamps are compatible with all dimmers. Please check compatibility before installation. Incompatibility does not constitute a defect in the luminaire.
3. Flickering at low dimmer settings (from 50%): When using dimmers, slight flickering may occur at low settings. This is normal behaviour and does not constitute a defect in the luminaire.