



BOOH pendant lights

BOOH 250 GU10 S

104683sw
G10
Dimmable
€469.00

detail.deliveryTimeAvailable2

Shade Color

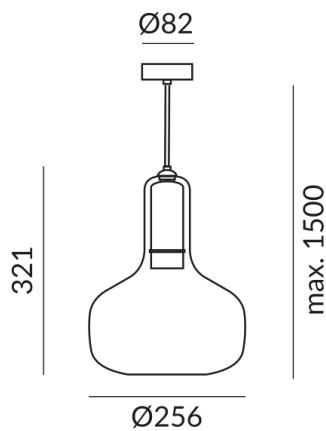
cool grey

Systems

Single luminaires

Diameter

250mm



Technical specifications

Body color

painted black

Shade color

cool grey

Primary connection voltage

230 Volt

Dimmable

Universal (L,C)

Input power

9 Watt

Safety class

2

Ingress protection

IP20

Weight

1.63 kg



BRUCK GmbH & Co. KG
Industriestr. 22a
44628 Herne

Tel: +49 (0)2323 - 5910
E-Mail: sales@bruck.de

<https://bruck.de>